

Electric built-in cooking tables

Instructions for installation and use
P 604 GB

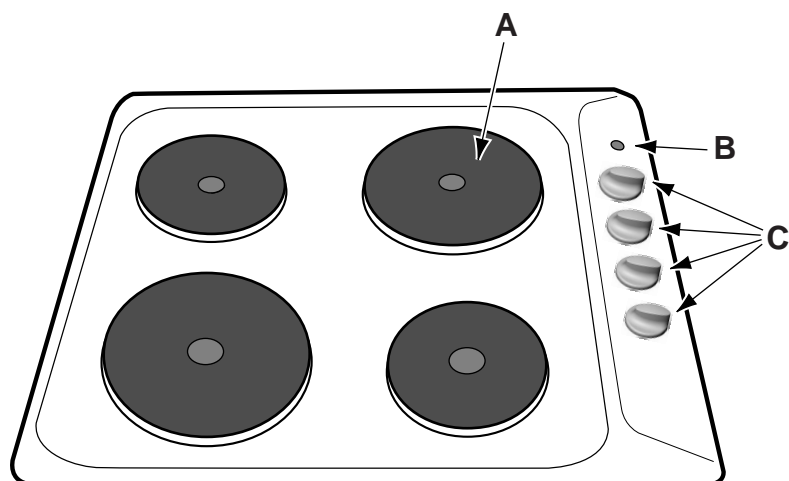
 **INDESIT**



GB **Electric built-in cooking tables**
Instructions for installation and use

Congratulations on choosing an Indesit appliance, which you will find is dependable and easy to use. We recommend that you read this manual for best performance and to extend the life of your appliance. Thank you.

Close-up View



- A Electric plate
- B Pilot lamp of the electric plates
- C Control knobs for the cook-top electric plates

How To Use Your Appliance

The position of the corresponding electric hot plate is indicated on each control knob.

Electric Hot Plates

The hot plates vary in diameter and power: "normal" and "fast". The latter can be identified by a red boss in the center of the hot plate itself.

The hot plate can be regulated by turning the corresponding knob in the clockwise or counter-clockwise direction to any one of the 6 different settings:

- 0 Off
- 1 Low
- 2-5 Medium
- 6 High

The section entitled, "Practical Cooking Advise", provides information on the recommended settings for various types of food or cooking processes.

When the knob is on any of the settings other than "Off", the "B" operating light comes on.

How to Keep Your Cooktop in Shape

Before cleaning or performing maintenance on your appliance, disconnect it from the electrical power supply. **To extend the life of the cooktop, it is absolutely indispensable that it be cleaned carefully and thoroughly on a frequent basis, keeping in mind the following:**

- The enameled parts and the glass top, if present, must be washed with warm water without using abrasive powders or corrosive substances which could ruin them;

- The electric hobs should be cleaned using a damp cloth and then rubbed with oil while still warm;
- Stainless steel can be stained if it remains in contact with highly calcareous water or aggressive detergents (containing phosphorous) for an extended period of time. It is recommended that these parts be rinsed thoroughly with water and then dried well. It is also a good idea to clean up any spills.

Practical Advice

Practical Advice on Using the Electric Hot Plates

In order to avoid heat loss and damage to the hot plate, use cookware with a flat bottom the diameter of which is not less than that of the hot plate.

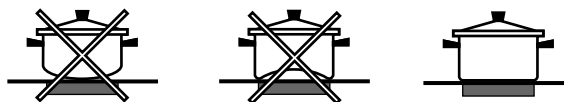
Setting	Normal or Fast Plate
0	Off
1	Cooking vegetables, fish
2	Cooking potatoes (using steam) soups, chickpeas, beans.
3	Continuing the cooking of large quantities of food, minestrone
4	For roasting (average)
5	For roasting (above average)
6	For browning and reaching a boil in a short time.

Before using the hot plates for the first time, you should heat them at maximum temperature for approximately 4 minutes, without any pans. During this initial stage, their protective coating hardens and reaches its maximum resistance.

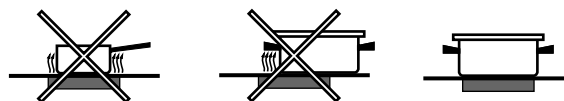
Use of the hob

To obtain the best cooking results from your hob there are a few basic rules to follow.

- Use pans with a level and even base. This ensures full contact of the base of the pan to the ceramic heat zones. Use heavy pans with level bases



- Use pans with a large enough diameter to completely cover the heat zone as this ensures the most efficient use of the heat.



- Always ensure that the bases of the pans are dry and clean as this allows good contact and will prolong the life of your ceramic hob and pans.
- Never leave cooking rings on without a pan on top as maximum heat is reached in a very short time and could damage heating elements.
- Remember that cooking rings remain hot for at least half an hour after being turned off. Be careful not to inadvertently place containers or cups on the cooking rings whilst they are still hot.
- Do not turn on the cooking rings if there are pieces of aluminium foil or plastic on the hob.
- Do not lean over the rings whilst they are still hot or touch them with your hands.

Safety Is a Good Habit to Get Into

To maintain the EFFICIENCY and SAFETY of this appliance, we recommend:

- call only the Service Centers authorized by the manufacturer
- always use original Spare Parts

- This manual is for a class 3 built-in cooktop.
- This appliance is designed for non-professional use in the home and its features and technical characteristics must not be modified.
- These instructions are only valid for the countries the symbols for which appear on the manual and the serial plate.
- The electrical system of this appliance is safe only when it is correctly connected to an adequate earthing system, as required by current safety standards.

Prevent children and the disabled from coming into contact or having access to the following, as they are possible sources of danger:

- The controls and the appliance in general;
- The packaging (plastic bags, polystyrene, nails, etc.);
- The appliance, during and immediately after use given the heat generated by its use;
- The appliance when no longer in installed (in this case, all potentially dangerous parts must be made safe).

The following should be avoided:

- Touching the appliance with wet parts of the body;
- Using the appliance with bare feet;
- Pulling on the appliance or the power supply cord to disconnect them from the electrical outlet;
- Improper and/or dangerous use;
- Obstructing the ventilation or heat dissipation slots;
- Allowing the power supply cord of small appliances to come into contact with the hot parts of the cooktop;
- Exposure to atmospheric agents (rain, sun);
- Using flammable liquids nearby;
- Using adaptors, multiple outlet plugs and/or extensions;
- Using unstable or deformed cookware;
- Leaving the electric hobs on without cookware on top of them;
- Closing the glass top (if present) while the electrical hot plates are still hot;

- Trying to install or repair the appliance without the assistance of qualified personnel.

The assistance of qualified personnel must be called upon in the following cases:

- Installation (in accordance with the manufacturer's instructions);
- When in doubt about the operation of the appliance;
- Replacement of the electrical outlet because it is incompatible with the plug.

Contact service centers authorized by the manufacturer in the following cases:

- When in doubt about the condition of the appliance after having removed the packing;
- Damage to or replacement of the power supply cord;
- In the case of a breakdown or malfunction: ask for original spare parts.

It is recommended that you follow the guidelines below:

- Only use the appliance to cook food, avoiding all other uses;
- Check the condition of the appliance after it has been unpacked;
- Disconnect the appliance from the power supply in the event of malfunction and always before cleaning or maintenance;
- When not in use, disconnect the appliance from the power supply;
- Always check to make sure that the control knobs are on the "•"/"o" setting when the appliance is not in use;
- Cut the power supply cord after disconnecting it from the electrical mains when you decide to no longer use the appliance.
- The manufacturer will not be held liable for any damages arising out of : incorrect installation or improper, incorrect or unreasonable use..

Installation Instructions for built-in

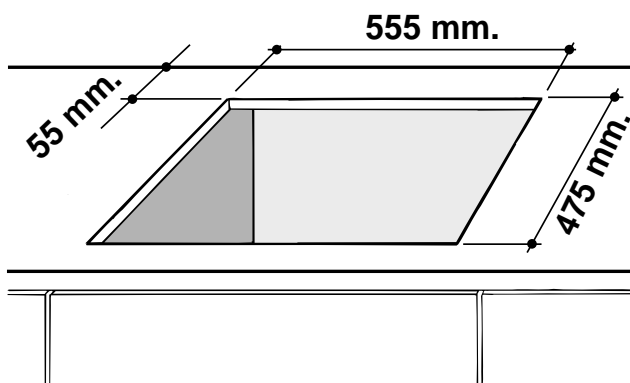
The following instructions are directed at the qualified installer so that the installation and maintenance procedures may be followed in the most professional and expert manner possible.

Important: Unplug the electrical connection before performing any maintenance or regulation upkeep work.

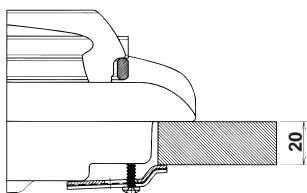
Installation of built-in stove tops

The electric hobs are prepared with protection degree against excessive heating of Y type, it is therefore possible to instal them next to furniture which is higher than the working board. For a correct installation of the cooking top the following precautions must be followed:

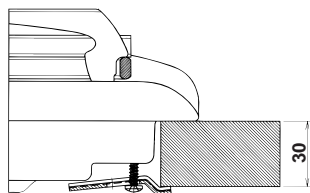
- The hob may be located in a kitchen, a kitonen/diner or bed sitting room, but no in a bathroom or shower room.
- The hoods must be installed according to the requirements in the hood handbook.
- The dimensions of the cutout for the appliance must be those indicated in the figure. Clamps are provided to fasten the cooktop to counters measuring from 20 to 40 mm in thickness. To fasten the cooktop securely, it is recommended that all the clamps be used.



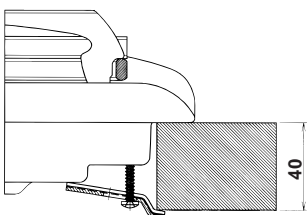
Fastening Clamps - Assembly Diagram



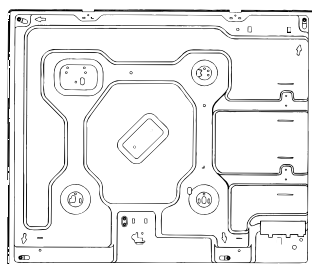
Clamp Position for H=20mm top



Clamp Position for H=30mm top
Front



Clamp Position for H=40mm top

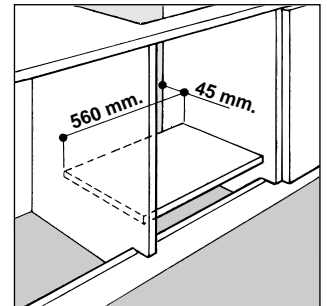
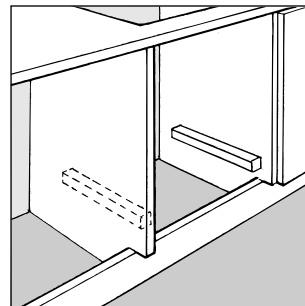


Back

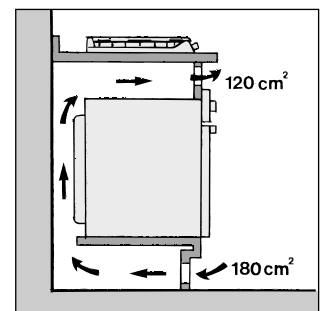
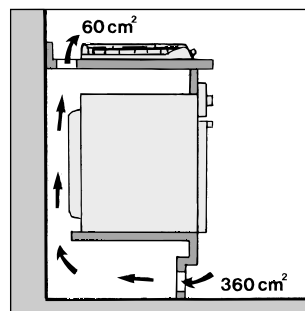
N.B: Use the clamps contained in the "accessory kit."

d) In case a wooden panel should be fitted under the top for insulation, it will have be fitted at a minimum distance of 20 mm from the inferior part of the top.

Important: When installing the hob on a built-in oven, the oven should be placed on two wooden strips; in the case of a joining cabinet surface, remember to leave a space of at least 45 x 560 mm at the back.



When installing on a built-in oven without forced ventilation, ensure that there are air inlets and outlets for ventilating the interior of the cabinet adequately. Assembly examples are given in figs.



Electrical connection for electric hob

The following installation procedure must be carried out by a qualified electrician.

Important: the cooker must be connected to the mains by a switched (double pole) cooker outlet correctly fused with a capacity appropriate to that shown on the hob Rating Plate. All electrical wiring from the consumer unit to the appliance, via the switched double pole cooker outlet, must be of an acceptable type and current rating as above. The supply cord, type H05 VV-F 3x2.5mm², must be positioned so that it never reaches at any point a temperature 50°C higher than the room temperature. The electrical installation must comply with the IEE Regulations, Building Regulation & local By-Lays.

WARNING: THIS APPLIANCE MUST BE EARTHED.

In the case of installation over a built-in electric oven the electrical hook-up of the stove top and that of the oven should be separate, for reasons of safety as well as for ease of eventual removal of the oven.

Supply cable installation

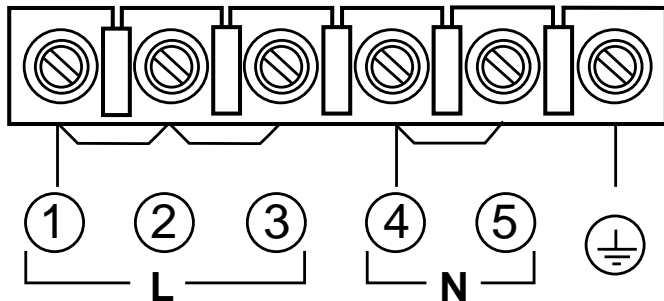
The electric hobs are supplied without cable. Use a cable: H05 VV-F 3x2.5mm²

- Open the terminal box by removing the "V" screw and taking off the cover.
- The wires in the mains lead are coloured in accordance

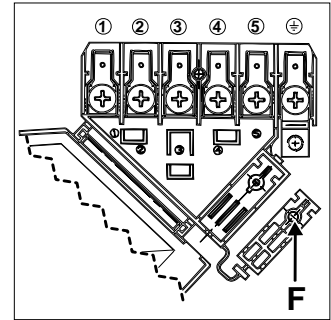
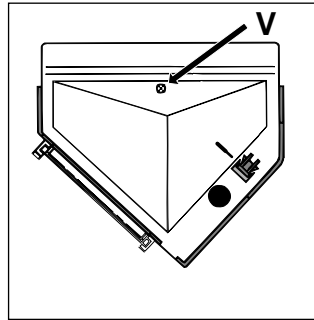
with the following code:

Green & Yellow - Earth "E" 
Blue - Neutral "N"
Brown - Live "L"

Connect the wires in accordance with the following diagram



- Fix the cable in place with the "F" cable clamp, close the lid and fasten it with the "V" screw.



Technical characteristics

Voltage and supply frequency and power:
230V ~ 50-60 Hz

Max absorption:
7000 W

Mod. Indesit:
P 604 GB



This appliance conforms with the following European Economic Community directives:

- 73/23/EEC of 19/02/73 (Low Voltage) and subsequent modifications;
- 89/336/EEC of 03/05/89 (Electromagnetic Compatibility) and subsequent modifications;
- 93/68/EEC of 22/07/93 and subsequent modifications.

Merloni Elettrodomestici

Viale Aristide Merloni 47

60044 Fabriano

Italy

Tel +39 0732 6611

Fax +39 0732 662501

www.merloni.com